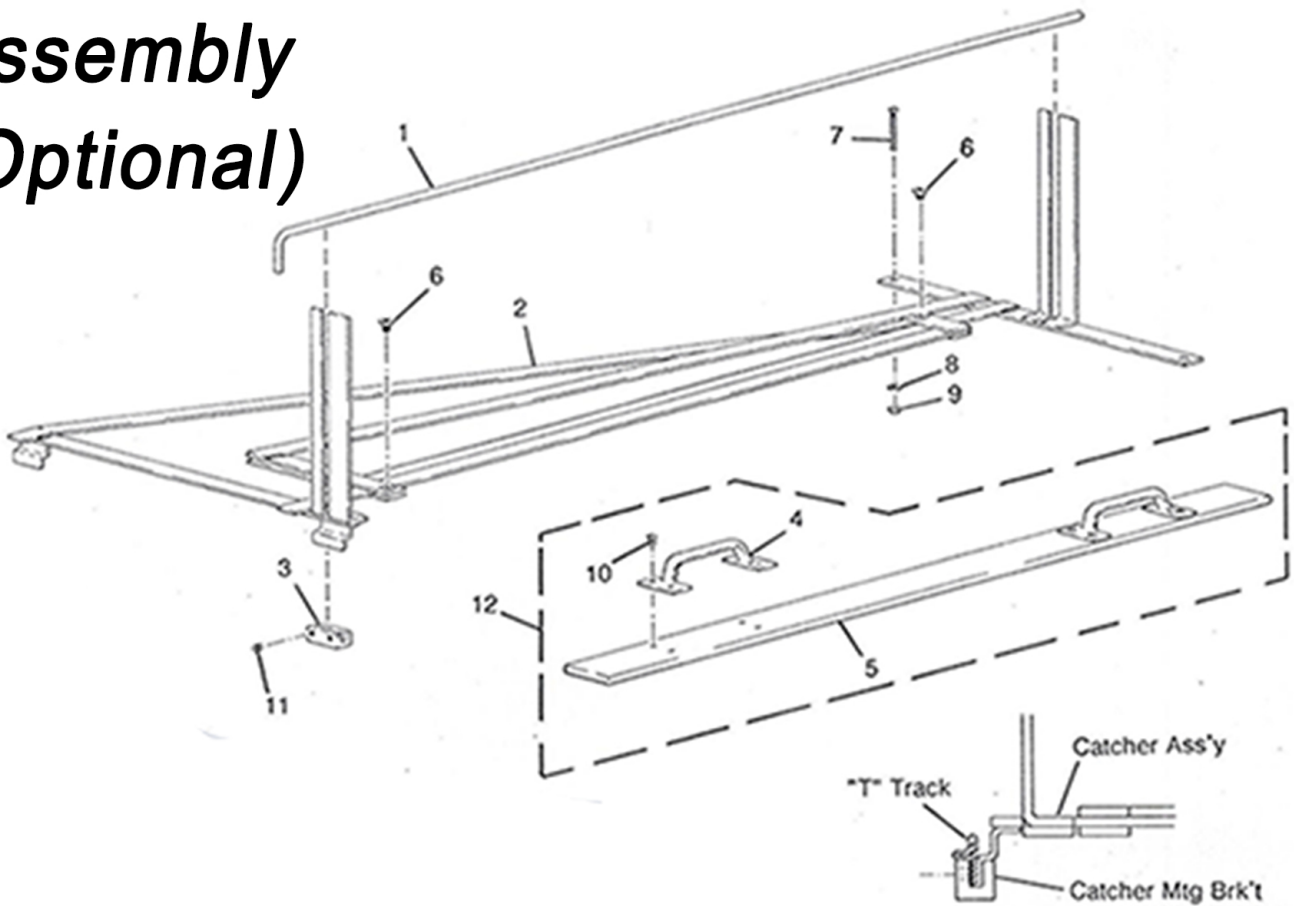


# Rodway Catcher Assembly (Optional)



Mounting Catcher Ass'y to Table

## CATCHER ASSEMBLY

ITEM	PART NO.	DESCRIPTION	QTY.
1	C1000	Rod, Catcher	4
2	C1010	Catcher Assembly	2
3	C1020	Bracket, Track Mounting	4
4	C1110	Handle	2
5	C1120	Weight	2
6	C1450	Screw, Flat Head Socket 1/4-20x0.50	2
7	C1420	Screw Flat Head Socket, 1/4-20x2.00	4
8	C1428	Washer, Flat 0.281 ID x 0.062	4
9	C1430	Elastic hex nut	4
10	C0638	Screw, #6 x .38 Drive	8
11	C1438	Setscrew, 1/4-20 x .38	8
12	C1121	Weight Assembly	1

PART NO.	DESCRIPTION
C1011-L	Left hand 11" height
C1007-L	Left hand 7-1/2" height
C1011-R	Right hand 11" height
C1007-R	Right hand 7-1/2" height



**UNICRAFT**  
Corporation

3640 NW 52nd Street, Miami, FL 33142  
Tel. 305-633-4945 Fax 305-633-4866  
unicraftcorp.com unicastcorp@bellsouth.net